

DP-2330

efficient



- Up to 23 cpm / Up to 23 ppm Digital Copying and Printing
- Standard Network Printing / Document Management Software
- Scan-to-PC / Scan-to-Email / Scan-to-FTP / Scan-to-Server Capabilities
- Standard Stackless Duplexing
- Standard Security Function

Panasonic ideas for life

WORKiO – Options & Specifications

Hard Disk

Hard Disk Drive Unit
DA-HD30
(Optional Image Memory is required)

Image Memory Options

16MB / 64MB / 128MB
DA-SM16B / DA-SM64B / DA-SM28B

Exit Tray (Inner)

DA-XN201

Paper Exit Options

Software

Accounting System

Accounting Software
DA-WA10
(Optional Hard Disk Drive Unit and
Optional Image Memory are required)

DD Server System

DD Server Software
DA-WS20
(Optional Network Scanner Module or Network Scanner
Module for Document Distribution System is required)

Document Distribution System

Panasonic Document Distribution System
DA-WR10
(Network Scanner Module for Document Distribution System is required)

1-bin Finisher

DA-FS300

Exit Tray (Outer)

DA-XT200

Fax / Scan-to-Email (Internet Fax) Options

Flash Memory

4MB Flash Memory / 8MB Flash Memory
UE-410047F/UE-410048F

G3 Fax

Fax Communication Board
DA-FG300

Scan-to-Email (Internet Fax)

Internet Fax/E-Mail Module
DA-NF600

Expansion Board

DA-EM600F

Printer / Network Printer Options

Printer Controller Module

PCL Printer
DA-PC301

**Multi-Page Description Language
Controller Module**
DA-MC301

Network Scanner Option

Network Scanner

Network Scanner Module
DA-NS600

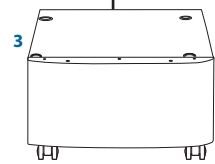
**Network Scanner Module for
Document Distribution System**
DA-NS601

Key Counter Cable Kit
DA-KH200

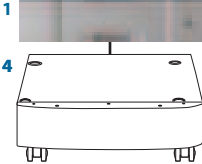
Paper Feed Options

Full-Height Configurations

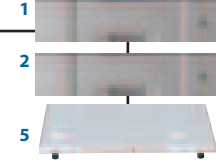
2-Paper Tray Configuration



3-Paper Tray Configuration



4-Paper Tray Configuration



For Wheelchair Configurations

1- 3rd Paper Tray

DA-DS305

2- 4th Paper Tray

DA-DS306

3- Deluxe Stand (High)

DA-DA310R

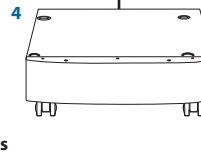
4- Deluxe Stand (Low)

DA-DA320R

5- Base Plate with Casters

DA-DA230

2-Paper Tray Configuration



3-Paper Tray Configuration



DP-2330 Specifications

General

Type	Desktop
Copy / Print Process	Laser Indirect Electrostatic
Developing Process	Dry Dual Component
Inverting Automatic Document Feeder	50 sheets (Letter, 20 lb, 75 g/m ²)
Paper Feed	Std. 550-sheet paper tray unit x 2 + 50-sheet bypass Max. 2,250 sheets with option
Paper Weight	Paper Tray: 16 to 24 lb (60 to 90 g/m ²) Bypass: 15 to 34 lb (55 to 133 g/m ²)
Power Requirements	AC 120, 60 Hz, 12A
Power Consumption	Max.: Less than 1.5 kW Power saver mode: Approx. 28 W Sleep mode: Approx. 18 W
Warm-up Time (68°F/20°C)	Approx. 35 sec. (Main power switch ON) Approx. 30 sec. (Power saver mode)
Dimensions (W x D x H)*1	23.6" x 27.9" x 33.9" (597 x 707 x 860 mm)
(Excluding optional equipment)	(Including Automatic Document Feeder and ADF mounting bracket)
Weight*1	Approx. 181 lb (82 kg)
(Excluding optional equipment)	

Digital Copier

First Copy Time	Approx. 4.5 sec. (Letter)
Resolution	600 dpi
Gray Scale	256 steps
Multi Copy Speed*2	up to 23 cpm
Maximum Original Size	Ledger
Copy Size	Ledger-Invoice (fixed)
Copy Ratio	Enlargement (fixed) 200 %, 155 %, 129 %, 121 % Reduction (fixed) 79 %, 77 %, 65 %, 61 %, 50 %
Zoom (variable)	25-400 % (in 1% increments)
Multiple Copy	1 to 999, Automatic reset to 1
Exposure Control	Text, Text/Photo, Photo
Sort Memory (Standard)	16 MB
(Option)	Base Memory (16 MB) plus 16 MB / 64 MB / 128 MB (max. 144 MB) 12 GB (with optional HDD)

Printer

Network Printer Interface	Ethernet 10Base-T/100Base-TX
Communication Protocol	TCP/IP (LPD, RAW/Port9100, SNMP, DHCP) IPX/SPX*3 (NDS, Bindery, NDPS), AppleTalk (PS), IPP (PCL, PS)
Local Printer Interface	USB 1.1
Printer Language (Standard)	Panasonic Printing System for Windows®
(Option)	PCL 5e Emulation*4, PCL 6 Emulation*4 Adobe® PostScript®3*5
Printing Speed*2	up to 23 ppm
Paper Size	Paper Tray: Ledger-Invoice Bypass: Ledger-Invoice
Printing Resolution	1,200 dpi equivalent x 600 dpi (PCL, PS), 600 dpi x 600 dpi, 300 dpi x 300 dpi (PCL, PS, GDI)
Printer Memory	50 MB
PCL/PS Spool Memory	6 GB with optional HDD
Compatible Client Operating Systems	Windows® XP/2000/98/Me, Windows NT® 4.0, Mac® OS 8.6-10.2 (PS Only)*5
Compatible Network Operating Systems	Windows® 2000/Server 2003, NT 4.0, Novell 3.x/4.x/5.x/Unix (LPD/LPR), Linux (LPD/LPR, AS/400 (PCL, PS))

Network Scanner (Option)

Network Scanner Interface	Ethernet 10Base-T/100Base-TX
Communication Protocol	TCP/IP (LPR, FTP)
Maximum Scanning Size	Ledger
Scanning Speed*6	Approx. 30 opm (Originals per minute – Letter portrait with ADF)
Scanning Resolution	150 dpi x 150 dpi, 300 dpi x 300 dpi, 600 dpi x 600 dpi
Compatible Operating Systems	Windows® XP/2000/Server 2003, 98, Me, Windows NT® 4.0
Data Format	TIFF, PDF

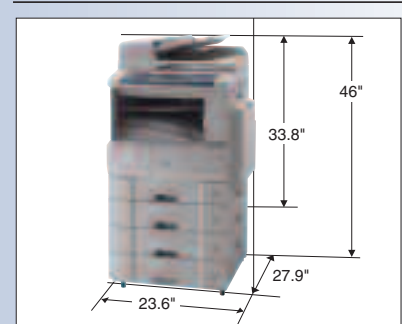
G3 Fax (Option)

Compatibility	ITU-T Group 3, ECM
Modem Speed	33.6-2.4 kbps with automatic fallback
Coding Scheme	JBIG / MMR / MR / MH
Scanning Speed*6	Approx. 0.7 sec. (Letter portrait in Standard or Fine mode with ADF)
Transmission Speed*7	Approx. 2.7 sec.
Scanning Resolution	Standard: 203 dpi x 98 lpi (8 dots/mm x 3.85 lines/mm) Fine: 203 dpi x 196 lpi (8 dots/mm x 7.7 lines/mm) Super Fine: 406 dpi x 391 lpi (16 dots/mm x 15.4 lines/mm) 600 dpi x 600 dpi x 600 dpi
Maximum Original Size	Ledger
Effective Scanning Width	10.7" (274 mm)
Recording Resolution	600 x 600 dpi
Standard Memory*8	3 MB (approx. 180 pages)
Optional Memory*8	Base memory plus 4 MB (320 pages)/8 MB (640 pages)
Speed Dials	200 (Max. 1,000 with optional HDD)

Internet Fax/Scan-to-Email (Option)*9

Compatibility	IETF RFC 2305, ITU-T T.37*10
Communication Protocol	TCP/IP (SMTP, POP3, LDAP)
Network Connectivity	10Base-T/100Base-TX Ethernet
Data Format	TIFF (Profile S/F/J), PDF*10

Dimensions



Notes

- *1 Dimensions and weight are approximate.
- *2 Speeds are contingent upon applications, machine configuration, and status. Individual speeds may vary.
- *3 Compatible with Novell Netware® 3.4/5/6 and Novell Directory Services®.
- *4 Printer Controller Module or Multi-Page Description Language Controller Module option required.
- *5 Multi-Page Description Language Controller Module option required.
- *6 Scanning speed applies to the feeding process from the top to the end of a single page test chart. The time for the feeding process does not include the time that it takes for the top edge of the page to reach the scanning point and page ejection. Time for entire starting process is not applied.
- *7 Transmission time applies to memory transmission of text data using only ITU-T Image No. 1 between the same models at maximum modem speed. Transmission time may vary in actual usage. Usually public telephone lines can only support communication speeds of 28.8 Kbps or lower. Via PBX, transmission speed may fall back to a lower speed.
- *8 Based on ITU-T Image No. 1 scanned in Standard mode.
- *9 Depending on the receiving machine's capability, the document may not be correctly printed depending on the chosen resolution and document size.
- *10 T37 Internet Fax only supports TIFF format.

Design and specification are subject to change without notice. Not all options may be available at the time of notification.

Microsoft® Windows® and Windows NT® are registered trademarks of Microsoft Corporation. Adobe, PostScript and PostScript 3 are either registered trademarks or trademarks of Adobe Systems Incorporated in the United States and/or other countries. Novell Netware® and Novell Directory Services® are registered trademarks of Novell Inc., in the United States and other countries. PCL is a registered trademark of Hewlett-Packard. WORKiO® is a registered trademark of Matsushita Electric Industrial Co., Ltd. All other brand or product names are the property of their respective holders.

Panasonic®

Panasonic Digital Document Company
Unit of Panasonic Corporation of North America

Two Panasonic Way, Secaucus, NJ 07094
For a local dealer, please call 1-800-742-8086
panasonic.com/office



As an Energy Star® Partner, Panasonic has determined that this product meets the Energy Star® Guidelines for energy efficiency.

ISO 9001

Quality Management System

Our business processes which produce document, information and network products, from manufacturing to marketing, conform to ISO9001 Quality Management Systems standard. Design, development, manufacture, installation, repair and maintenance of document, information and network products, their associated devices and consumables.



PPC-DP-2330-SS 01/05